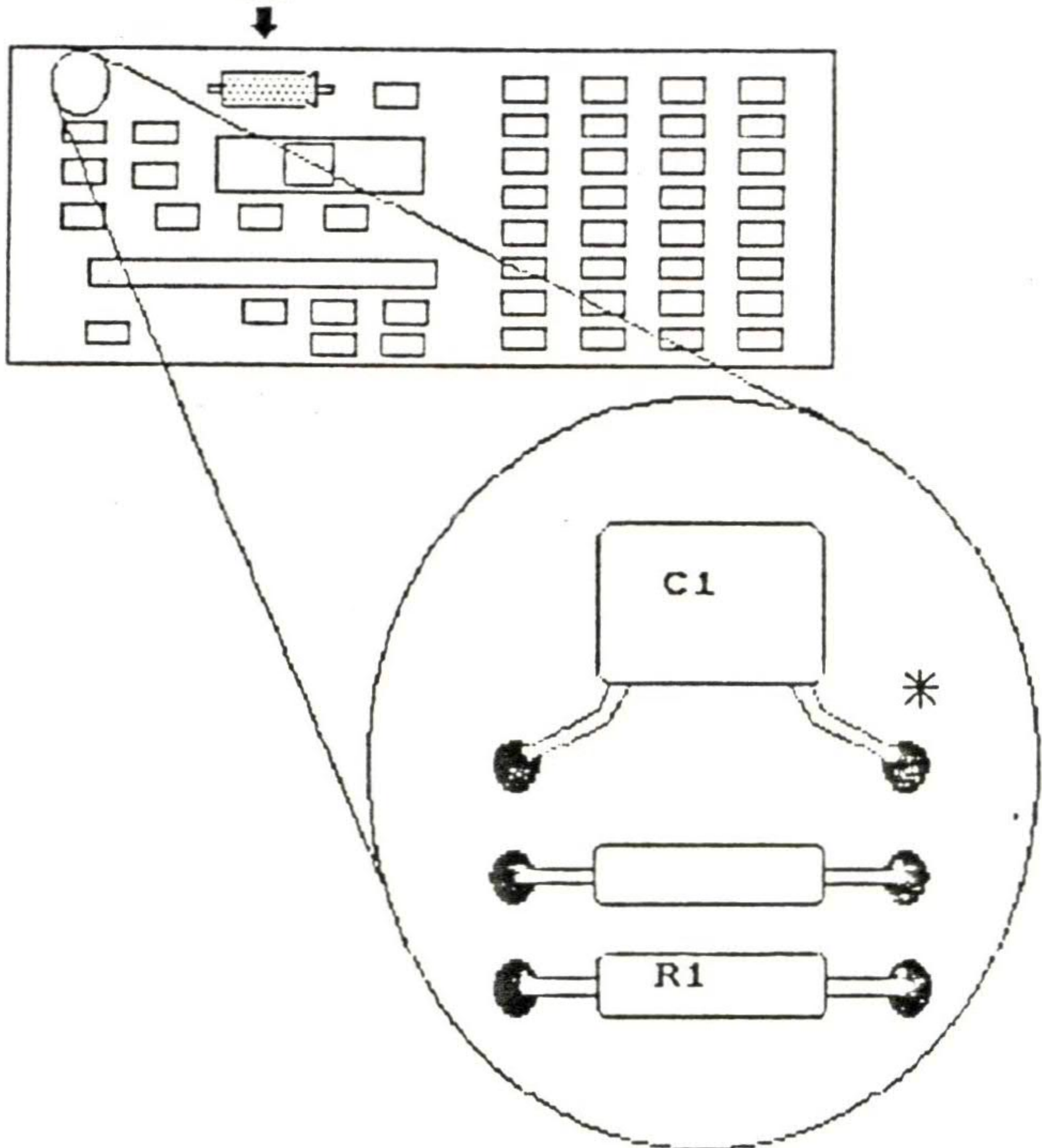


Technical Notes on Expansion Peripherals:

With the Kickstart in ROM, the Amiga's hardware goes through a slightly different reset sequence on powerup than it did before the modification. This can have an effect on peripherals that are connected to the systems expansion port. Until now there was no way for most manufacturers to test their products with ROM-based Amiga's, so there is a potential for problems with these peripherals. Fortunately, most of the products we've tested so far have worked perfectly.

The only expansion port peripheral that we have found that doesn't function properly on modified Amiga's is C Ltd.'s aMEGA Card. However, the friendly folks at C Ltd. provided us with a simple fix that is described below: C2



Part	Old value	Recommended Change
R1	1K	100K
C1	0.01uF	0.47uF
C2	220uF	remove

* for the more adventurous, you can also try trying a diode between this side of C1 and Vcc (pin 14 of the adjacent 74LS00) with the "bar" on the diode connected to the Vcc side.