



Bus-Board Z-3i Rev. 6.8

Operating Instructions

Congratulation for choosing the Zorro III bus board for your Amiga 1200.

With this busboard you have chosen an innovative and future save upgrade that will breathe new life into your Amiga 1200.

Zorro III busboards use a 32 bit bus which will speed up your Amiga, and therefore the way you work with your Amiga.

WARNING: OS 3.1 is required for the use of the Zorro board Z-3i.

Package includes:

- Zorro board Z-3i
- Pass-through connector
- Spacer
- Software for SCSI-II Host-Adapter
- Floppy with Software for SCSI-II Controller

Bus board:

- 5 Zorro II / III Slots (DMA capable)
- 3 PC-PCI Slots (for PCI - Cards)
- 2 PC-ISA Slots (for ISA- Cards)
- 1 Video Slot (Activated with optional Video Slot interface cable)
- Fast SCSI-II Controller
- CPU-Slot for A3000/4000 Accelerator cards

Rev 6.8 - 25 03 1998

<https://amiga.resource.cx>

Jumper settings

The Z-3i board has several jumpers to function with different accelerator boards and set up the SCSI interface. The jumper alongside the Zorro slots are for switching the slots to either Zorro II or Zorro III mode. In the closed position the associated Zorro slot will work in Zorro II mode.

Jumpers 1, 2 and 3 set the SCSI interface ID.

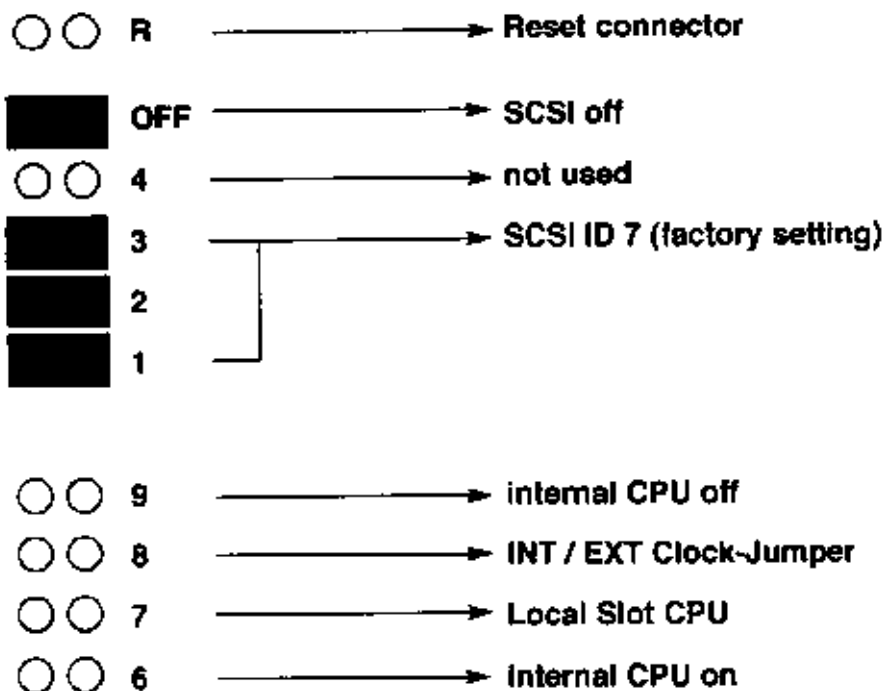
Jumper 4 is not used.

Jumper OFF determines whether the SCSI interface is active or not.

Jumper OFF closed, SCSI interface inactive.

Jumper OFF open, SCSI interface active.

Jumper R is for the reset connector of the tower.

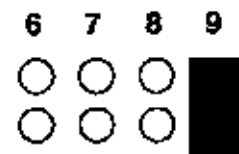




internal A1200 CPU



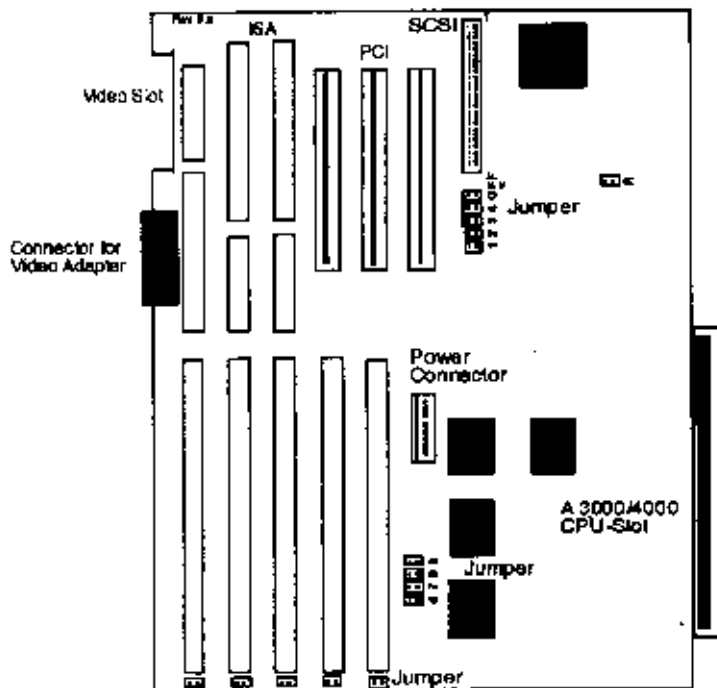
A1200 accelerator
Blizzard 1230 / 1240 / 1260



A3000 / A4000 accelerator
Cyberstorm MK II



A3000 / A4000 accelerator
Cyberstorm MK III / PPC



General Notes

When you use an A1200 accelerator card your system will work in Zorro II mode only.

To get the best performance from your Z-3i board we recommend the use of a compatible A3000/4000 accelerator card, which will enable the Zorro III mode.

Please pay attention when connecting SCSI devices that the red line from the data cable matches with PIN 1 on the bus board (see drawing).

The Video slot is not activated by default. The Video slot can be activated by the use of a Video-Slot interface cable which is available separately.

Software

For the installation of a hard disk or CD-ROM drive please use the programmes „Install HD“ or „Install CD“ on the floppy. You can also do the installation with any other installation tool (e. g. „HDDToolBox“ of the Workbench). The name of the scsi device is „123.device“.

If you have connected any IDE devices you can speed up the ROM and IDE access by installing the power tool „Rom2Fast“ located in the PowerTools directory on the floppy.